

Venus II Water Birth Pool



This iconic mid-size, water birth pool was originally developed in mid-1980's with the help of mothers, midwives, obstetricians, manual handling and infection control experts.

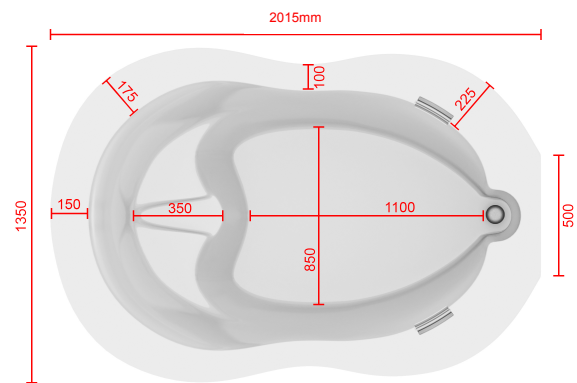
Millions of women around the world have benefited from using this simple pool of water to have better experience of labour and birth.

The Venus II is a quantum leap forward taking the original model to new levels of safety, value and performance.



Specifications

Length:	2015mm
Width:	1350mm
Height:	770mm
Depth:	640mm
Weight (empty):	90kg
Capacity:	510 litres
Material:	Ficore® composite
Guarantee:	Lifetime



Venus II Water Birth Pool

ACTIVE
BIRTHPOOLS

Intelligently designed to allow mothers to move naturally and instinctively to find the most beneficial positions

Purpose designed drainage with pop-up waste and rim-mounted control

The distinctive keyhole shape channel in the back rim protects mothers from hitting their heads on the spout

Recessed hand grips give mothers support in upright positions and help make squatting easier

Multi-Colour LED Lighting and Bluetooth Sound enable mothers to control the ambiance of the room

Optimum space and depth encourage mothers to move freely and gain maximum benefit from immersion in water

The bull-nose shape rim gives mothers a firm handhold to grab onto from anywhere in the pool

Safe, practical options for emergency evacuations with or without portable hoists

Mothers are actively supported as they move around the pool to find the most comfortable positions

The Labour Support Seat has a distinctive groove down the middle which allows the coccyx to float freely and not impinge the birth canal

Extra-wide rim and step unit make it simple and safe for mothers to get in and out of the pool

The highly polished surface is ultra-smooth, less slippery, tactile and warm to the touch

The ultra-hard surface is less slippery and highly resistant to bacteria and chemicals

The Skirting Panel hugs the pool to create space under the rim for midwives to work closely in comfort

Seamless one-piece fabrication in Ficore composite makes it easier to clean and denies bacteria the environment they need to propagate

