



Adjust the temperature to your surgical needs

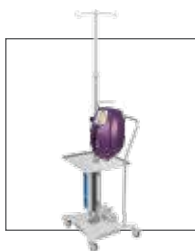
Fluido[®] Irrigation Fluid Warming

Inadequately warmed fluids can exacerbate drops in the patient temperature. Hypothermia can be reduced by **warming irrigation fluids**. The Fluido[®] Irrigation Fluid Warmer can deliver large volumes of normothermic irrigation fluids at optimum flow rates. It is suitable for all irrigation applications, from Urology to Gynaecology and Orthopaedics. When using high flow irrigation fluids, normothermic fluid temperature is also guaranteed.

Set up is easy and the system does not require any changes in surgical technique. The temperature can be adjusted to your surgical needs, from 30°C up to 39°C. It guarantees the set fluid temperature administered to the patient. A **stable core body temperature** is essential to your patients. It reduces bleeding and will speed up recovery time¹.



Warming unit



Easy set up



Prevent hypothermia

The 37° Company
Solutions for Patient Warming

Adjust the temperature to your surgical needs

The Fluido® Irrigation Fluid Warmer uses infra red technology, a dry and reliable method. The Fluido® Irrigation is primed and warms to the desired temperature in only 30 seconds.



What you set is what you get!

The control thermometer of the Fluido® Irrigation indicates whether the set temperature is the same as the temperature at the end of the giving set. Inline temperature measurements also controls the temperature within the unit.

Fluido® Irrigation Fluid Warmer

Cardiac Floating

Flow & Volume Indicator

Adjustable temperature 30 - 39°C

Fluido® Powerlifter II

Adjustable height by pedal control

Lifts up to 30kg

Wireless



Images shown may differ from the actual product

Fluido® Irrigation Product Range



Fluido® Irrigation Fluid Warmer | Article number 651230-I

Adjustable set temperature	30 - 39°C
Voltage, Current, Max. Power, Frequency	220-240VAC, 6A, 1400W, 50/60Hz

Fluido® Powerlifter II | Article number 660100-B

Adjustable height	150 - 265cm
Lifting weight	30kg

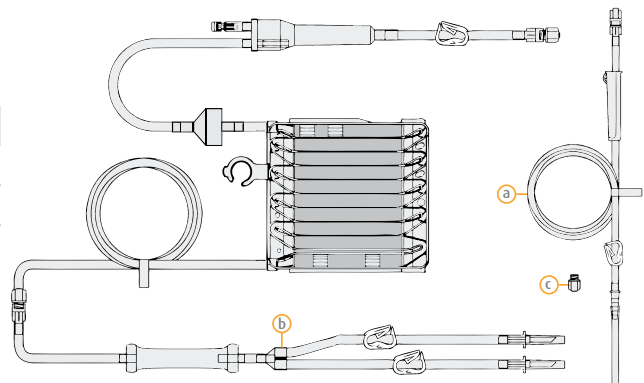
Fluido® Irrigation URO Set | Article number 670800-B

Complete set contains	a, b and c
Normothermic flow ($\geq 36^{\circ}\text{C}$)	50 - 680ml/min
Patient line	2000mm
Priming volume	220ml
Pressure	up to 300mmHg

What you set is what you get!

URO articles also available separately

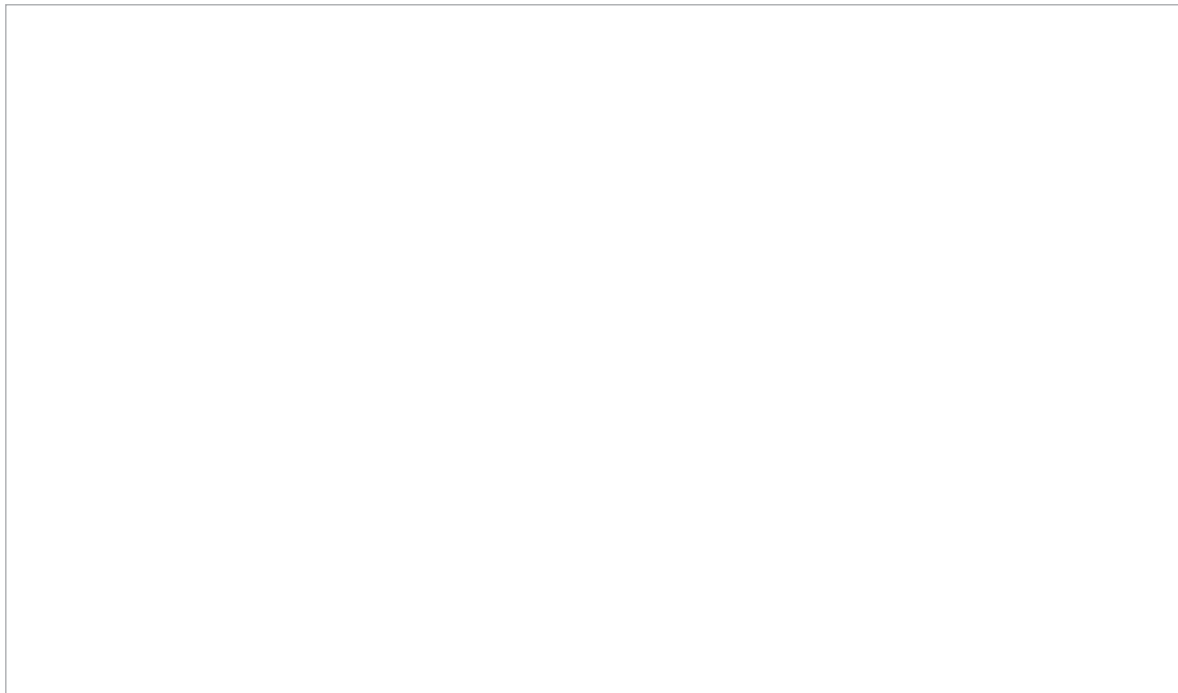
a Fluido® Irrigation URO Patient Line	Art. No. 680801-B
b Fluido® Irrigation URO Spike Set	Art. No. 680803-B
c Fluido® Irrigation URO Female Cap	Art. No. 680804



Fluido® Irrigation Connectors

Fluido® Irrigation connectors are developed to connect the Fluido® Irrigation URO Set to an irrigation pump.

Fluido® Irrigation Female connector	Art. No. 680910	
Fluido® Irrigation Male connector	Art. No. 680911	
Fluido® Irrigation Catheter connector	Art. No. 680912	
Fluido® Irrigation Funnel connector	Art. No. 680913	
Fluido® Irrigation URO Male connection	Art. No. 680805	



¹ M.J. Pit, R.J. Tegelaar and P.L. Venema, Isothermic irrigation during transurethral resection of the prostate: effects on peri-operative hypothermia, blood loss, resection time and patient satisfaction, British Journal of Urology (1996), 78, 99-103

Virtual37® Temperature Management Tool



Virtual37 is a Temperature Management Tool. This simulation tool offers an innovative and easy way to understand the impact of the warming balance and the warming decisions taken in surgeries.

The tool has been validated by University Hospital Ghent, Belgium.

The 37Company - Solutions for Patient Warming

Our core business is all about offering solutions for patient warming, about keeping patients at a constant healthy body temperature. The 37Company is working with respected medical professionals to accomplish continuous innovation, improve patient outcome and to reduce health care costs. This by providing training, education and economically justified, best-in-class products.

Fluido® and **Mistral-Air**® are registered trademarks of The Surgical Company International B.V.
Fluido® products are covered by the following European patents: 1313521 and 1446179.
Mistral-Air® Blankets Plus are covered by the following American patent: 12/342,933.

Other patents pending.
Thermoflect® is a registered trademark of Encompass Group, LLC.


Mistral-Air®
Forced Air Warming


Fluido®
Blood and Fluid Warming


Fluido® Irrigation
Fluid Warming


Thermoflect®
Heat Reflective Technology

The 37Company
Solutions for Patient Warming

Member of


© 2016 The Surgical Company Group • INT/P036-EN/7-12/16